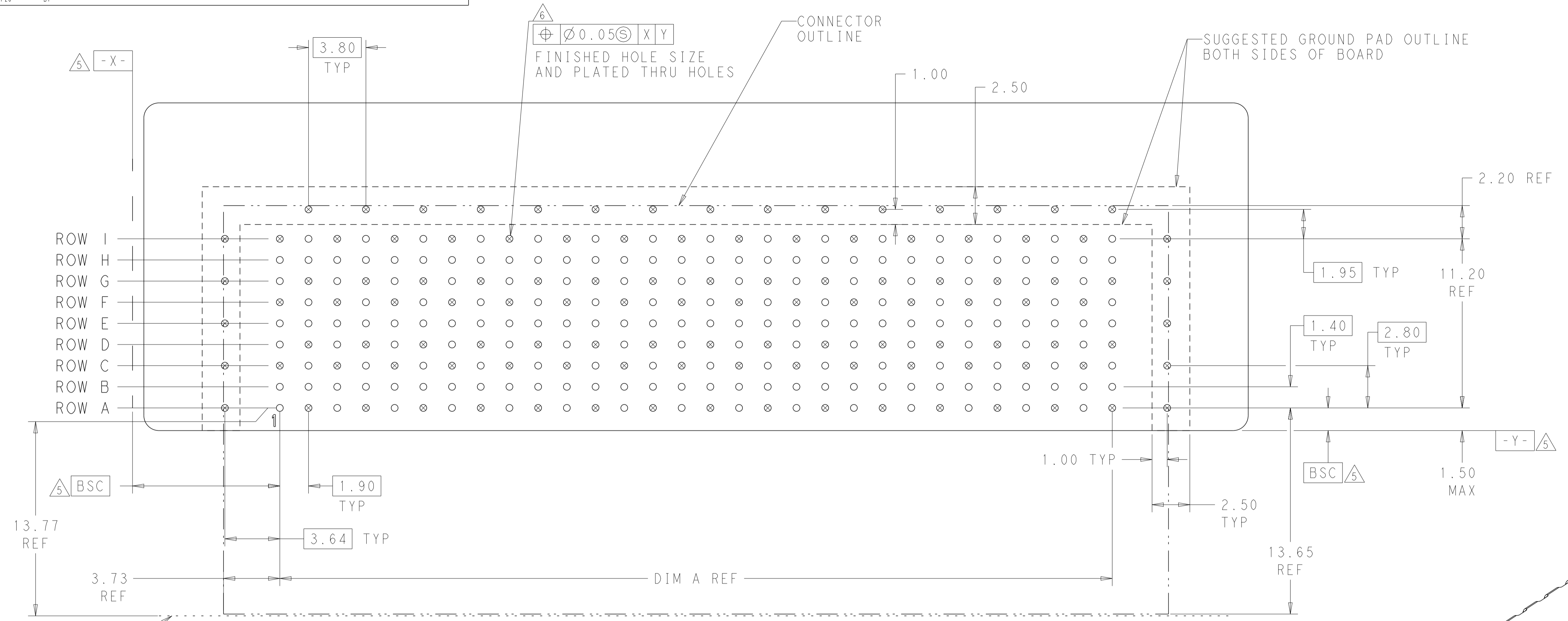
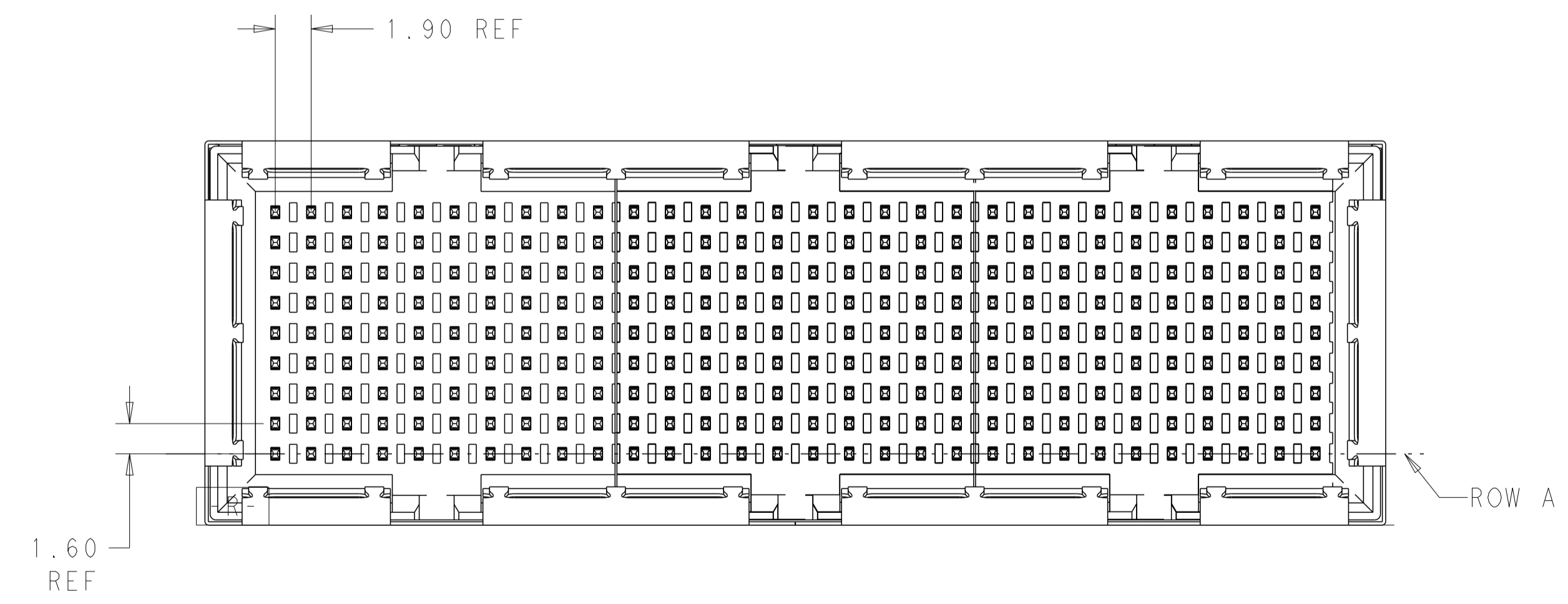
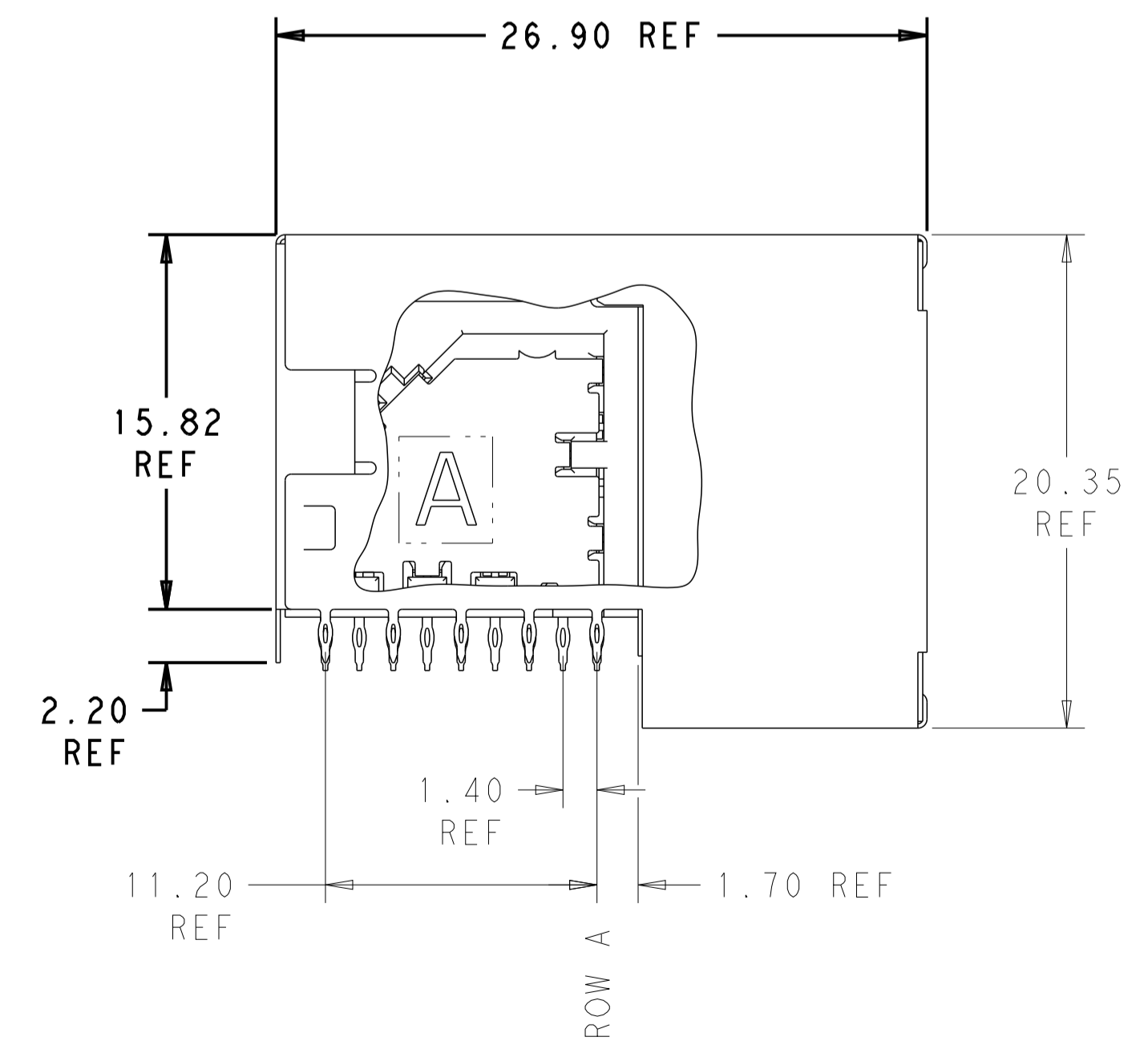
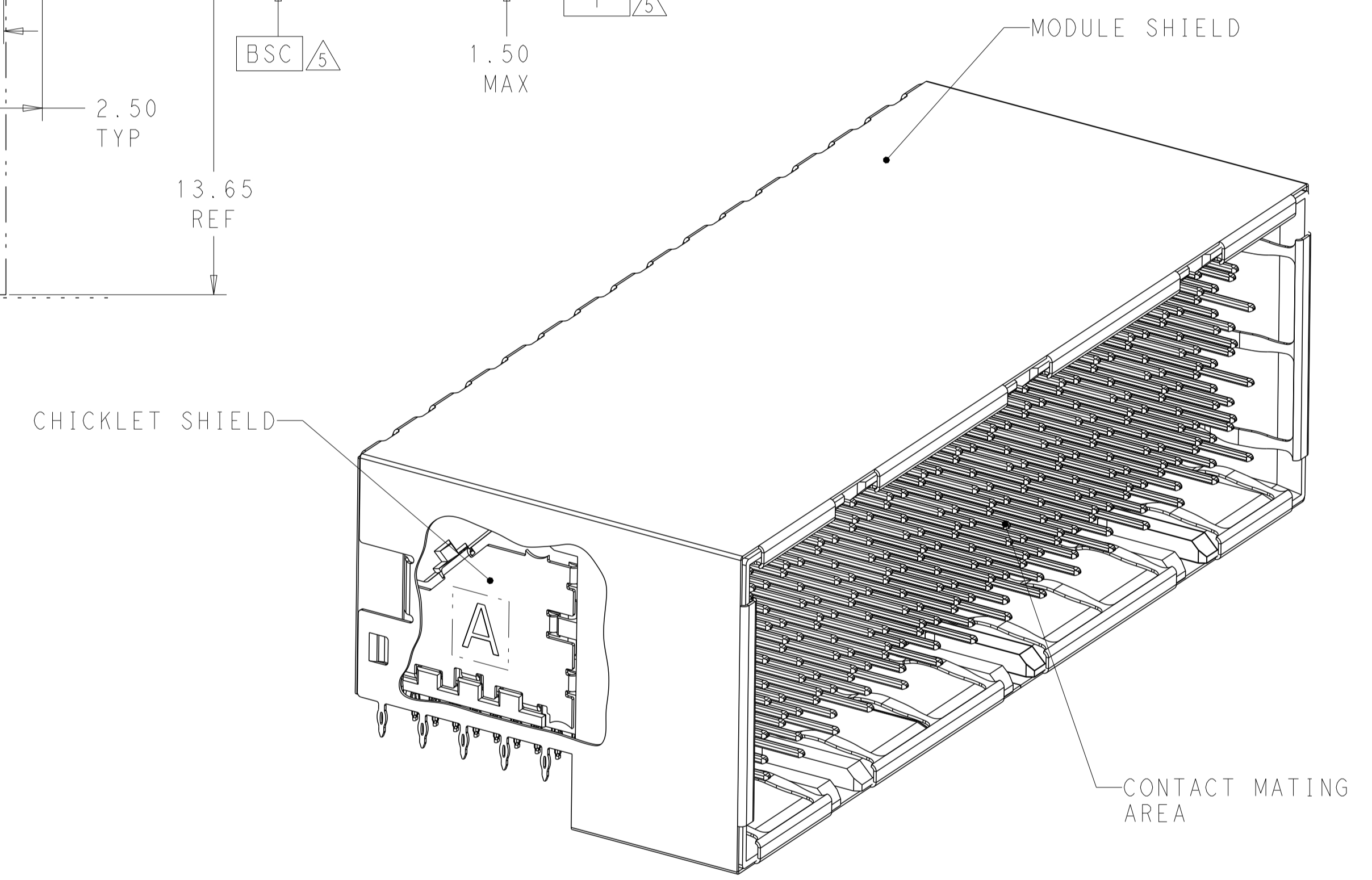


| LOC | | DIST | | REVISIONS | | | |
|-----|-----|--|------------|-----------|------|---|---|
| P | LTN | DESCRIPTION | DATE | DMN | APVD | | |
| 3 | | ADDED COLUMN MARKER | 14FEB2012 | AT | AT | | |
| 4 | | ADDED GROUND PAD, PLATING NOTES, WEIGHTS | 24JULY2012 | AT | AT | | |
| 5 | | REVISED NOTES | 4SEP2012 | DCB | AT | | |
| 6 | | ADDED ADHESIVE NOTE | 14OCT2013 | DCB | AT | | |
| 7 | | CORRECTED CONNECTOR OUTLINE | 30MAY2014 | AT | AT | | |
| - | - | - | - | - | - | - | - |
| - | - | - | - | - | - | - | - |



○ = SIGNAL
 △ = GROUND
 RECOMMENDED BOARD LAYOUT
 COMPONENT SIDE SHOWN
 SCALE 6:1



THIS PRODUCT HAS NOT COMPLETED VALIDATION TESTING

THIS PRINT IS
PRELIMINARY
 UNQUALIFIED PRODUCT
 CONTACT PRODUCT ENGINEERING
 BEFORE USING THIS PRINT

| | | |
|--|--|---------------------------|
| THIS DRAWING IS A CONTROLLED DOCUMENT. | | DMN D-BELACK 26JUL2010 |
| DIMENSIONS: | | CHK A-TSANG |
| mm | TOLERANCES UNLESS OTHERWISE SPECIFIED: | APVD M-MCALONIS |
| 0 PLC | ± | PRODUCT SPEC |
| 1 PLC | ±0.13 | 108-2409 |
| 2 PLC | ±0.05 | APPLICATION SPEC |
| 3 PLC | ± | 114-13267 |
| 4 PLC | ± | WEIGHT |
| ANGLES | ±2° | SIZE CAGE CODE DRAWING NO |
| MATERIAL | FINISH | A100779C=2102247 |
| RESTRICTED TO | | Customer Drawing |
| SCALE 4:1 | | SHEET 1 OF 2 |
| REV 7 | | |

STE TE Connectivity
 Fortis Zed B-PALD, RYA
 SHIELDED MODULE ASSEMBLY

| LOC | | DIST | | REVISIONS | | | |
|-----|-----|-------------|------|-----------|------|--|--|
| P | LTN | DESCRIPTION | DATE | DMN | APVD | | |
| - | - | SEE SHEET 1 | - | - | - | | |
| | | | | | | | |
| | | | | | | | |

△ MATERIAL:
 CONTACT AND CHICKLET SHIELD: PHOSPHOR BRONZE
 HOUSING AND CHICKLET: BLACK LCP
 HOUSING SHIELD: NICKEL SILVER PER UNS C77000
 ADHESIVE: 3M™ BONDING FILM 615S

△ FINISH:
 CONTACT MATING AREA: 1.27µm MIN GOLD OVER
 1.27µm MIN NICKEL
 CHICKLET SHIELD: 1.27µm MIN NICKEL
 COMPLIANT PIN AREA: 0.5µm MIN 93/7 SnPb OVER
 1.27µm MIN NICKEL

△ FINISH:
 CONTACT MATING AREA: 1.27µm MIN GOLD OVER
 1.27µm MIN NICKEL
 CHICKLET SHIELD: 1.27µm MIN NICKEL
 COMPLIANT PIN AREA: 0.5µm MIN Sn OVER
 1.27µm MIN NICKEL


△ DIMENSION APPLIES TO CENTERLINE OF THRU HOLE.

△ DATUMS AND BASIC DIMENSIONS ESTABLISHED BY CUSTOMER.

△ REFERENCE APPLICATION SPEC 114-13267 FOR RECOMMENDED PLATED THRU HOLE DIAMETER AND PLATING THICKNESS.

△ ALL GROUNDS IN ODD NUMBERED COLUMNS ARE COMMONED.
 ALL GROUNDS IN EVEN NUMBERED COLUMNS, EXCEPT FOR ROW A ARE COMMONED.

| | | | | | | |
|-----------|---------|---------|-----------------------|-------------|------------|-------------|
| 91.2 | 119.55 | 112.10 | △3 | 60 COLUMN | 180 | 2-2102247-6 |
| 76.5 | 100.55 | 93.10 | △3 | 50 COLUMN | 150 | 2-2102247-5 |
| 61.9 | 81.55 | 74.10 | △3 | 40 COLUMN | 120 | 2-2102247-4 |
| 47.2 | 62.55 | 55.10 | △3 | 30 COLUMN | 90 | 2-2102247-3 |
| 32.6 | 43.55 | 36.10 | △3 | 20 COLUMN | 60 | 2-2102247-2 |
| 17.9 | 24.55 | 17.10 | △3 | 10 COLUMN | 30 | 2-2102247-1 |
| 91.2 | 119.55 | 112.10 | △2 | 60 COLUMN | 180 | 2102247-6 |
| 76.5 | 100.55 | 93.10 | △2 | 50 COLUMN | 150 | 2102247-5 |
| 61.9 | 81.55 | 74.10 | △2 | 40 COLUMN | 120 | 2102247-4 |
| 47.2 | 62.55 | 55.10 | △2 | 30 COLUMN | 90 | 2102247-3 |
| 32.6 | 43.55 | 36.10 | △2 | 20 COLUMN | 60 | 2102247-2 |
| 17.9 | 24.55 | 17.10 | △2 | 10 COLUMN | 30 | 2102247-1 |
| WEIGHT(g) | DIM "B" | DIM "A" | COMPLIANT PIN PLATING | DESCRIPTION | DIFF PAIRS | PART NUMBER |

| | | | | |
|--|--|-------------------------------|-------------|---|
| THIS DRAWING IS A CONTROLLED DOCUMENT. | | DMN D. BELACK | 26 JUL 2010 |  TE Connectivity |
| DIMENSIONS: mm | | CHK A. TSANG | | |
| TOLERANCES UNLESS OTHERWISE SPECIFIED: | | APVD M. McALONIS | | NAME Fortis Zd. 3-PAIR, R/A, SHIELDED MODULE ASSEMBLY |
| 0 PLC ±0.13 | | PRODUCT SPEC 108-2409 | | SIZE A1 |
| 1 PLC ±0.05 | | APPLICATION SPEC 114-13267 | | CAGE CODE 2102247 |
| 2 PLC ± | | RESTRICTED TO | | |
| 3 PLC ± | | Customer Drawing | | |
| 4 PLC ± | | SCALE 4:1 | SHEET 2 | OF 2 |
| ANGLES ±2° | | WEIGHT | | REV 7 |
| FINISH | | | | |